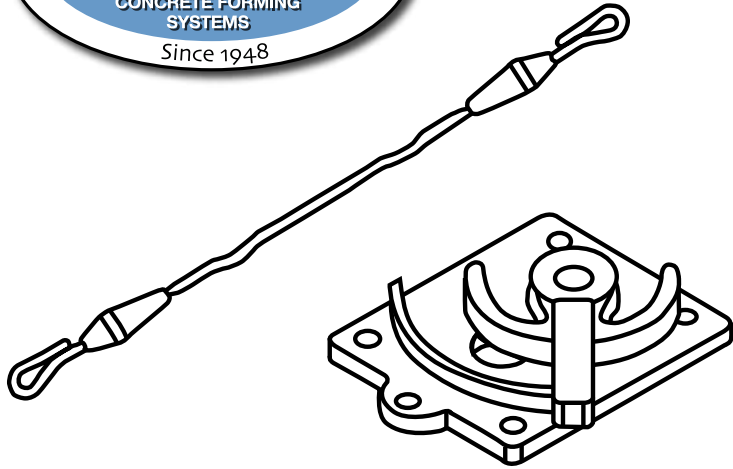
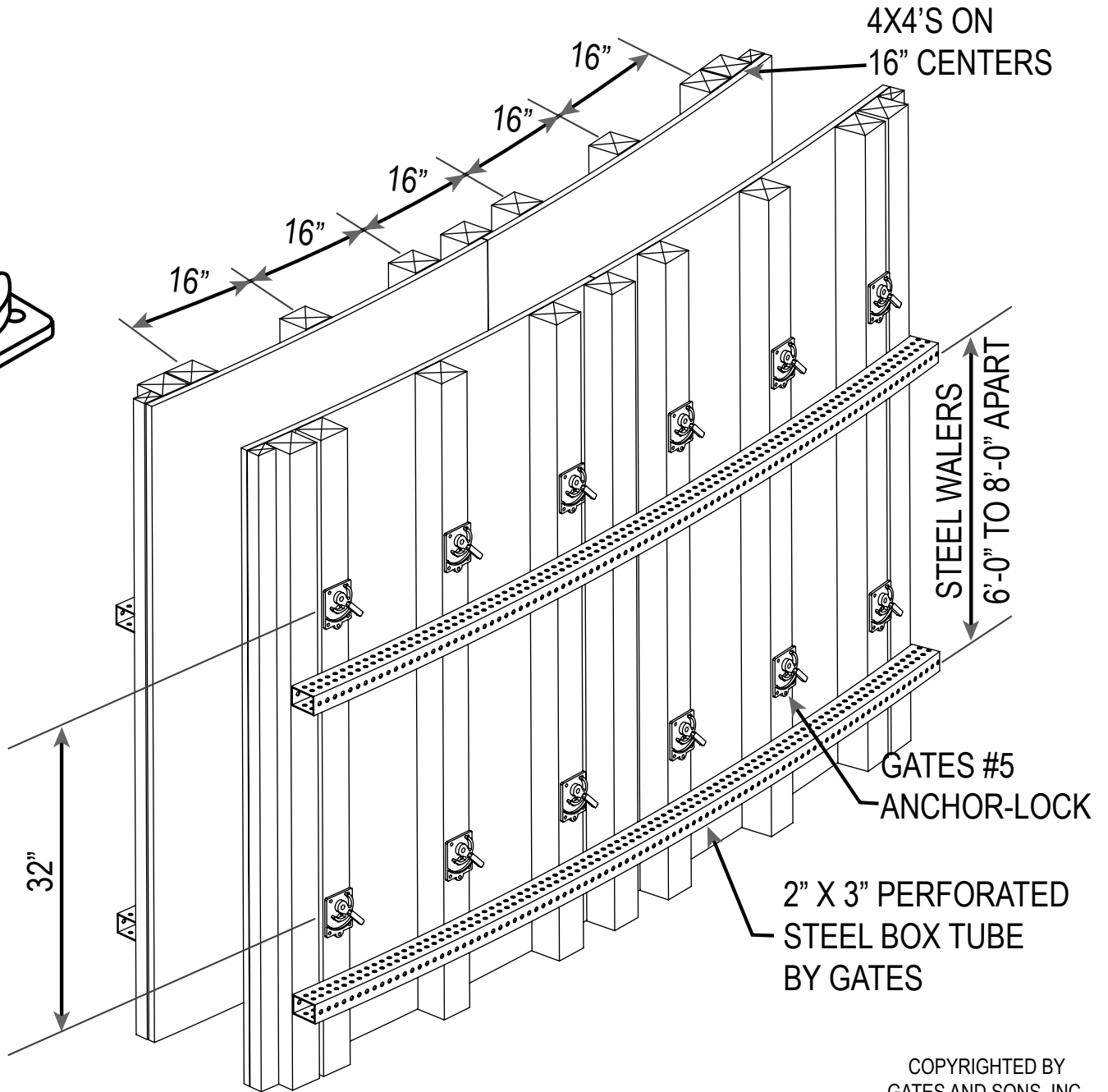




# SUGGESTED #5 ANCHOR-LOCK FORMING DETAILS



GATES #5 Anchor-Lock radius gang forming system is shaped with 2" x 3" perforated steel radius walers ... vertical 4X4's on 16" centers ... 16" x 32" tie spacing 3-1/2 sq. ft. per tie ... pass-thru form ties. Form weight: 7 lbs./sq. ft. and ... NO LOOSE HARDWARE!



## 16" X 32" TIE SPACING

| PLYWOOD BENDING TABLE |               |
|-----------------------|---------------|
| 20'-0" Dim.           | 3 pieces 1/4" |
| 30'-0" Dim.           | 2 pieces 3/8" |
| 40'-0" Dim.           | 2 pieces 3/8" |
| 50'-0" Dim.           | 1 piece 5/8"  |
| 60'-0" Dim.           | 1 piece 3/4"  |
| AND LARGER            |               |

COPYRIGHTED BY  
GATES AND SONS, INC.  
1998

EMAIL: [info@gatesconcreteforms.com](mailto:info@gatesconcreteforms.com)

[www.gatesconcreteforms.com](http://www.gatesconcreteforms.com)