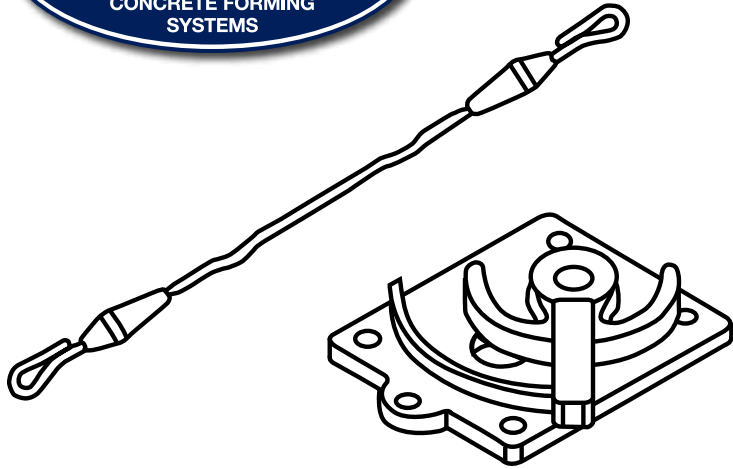
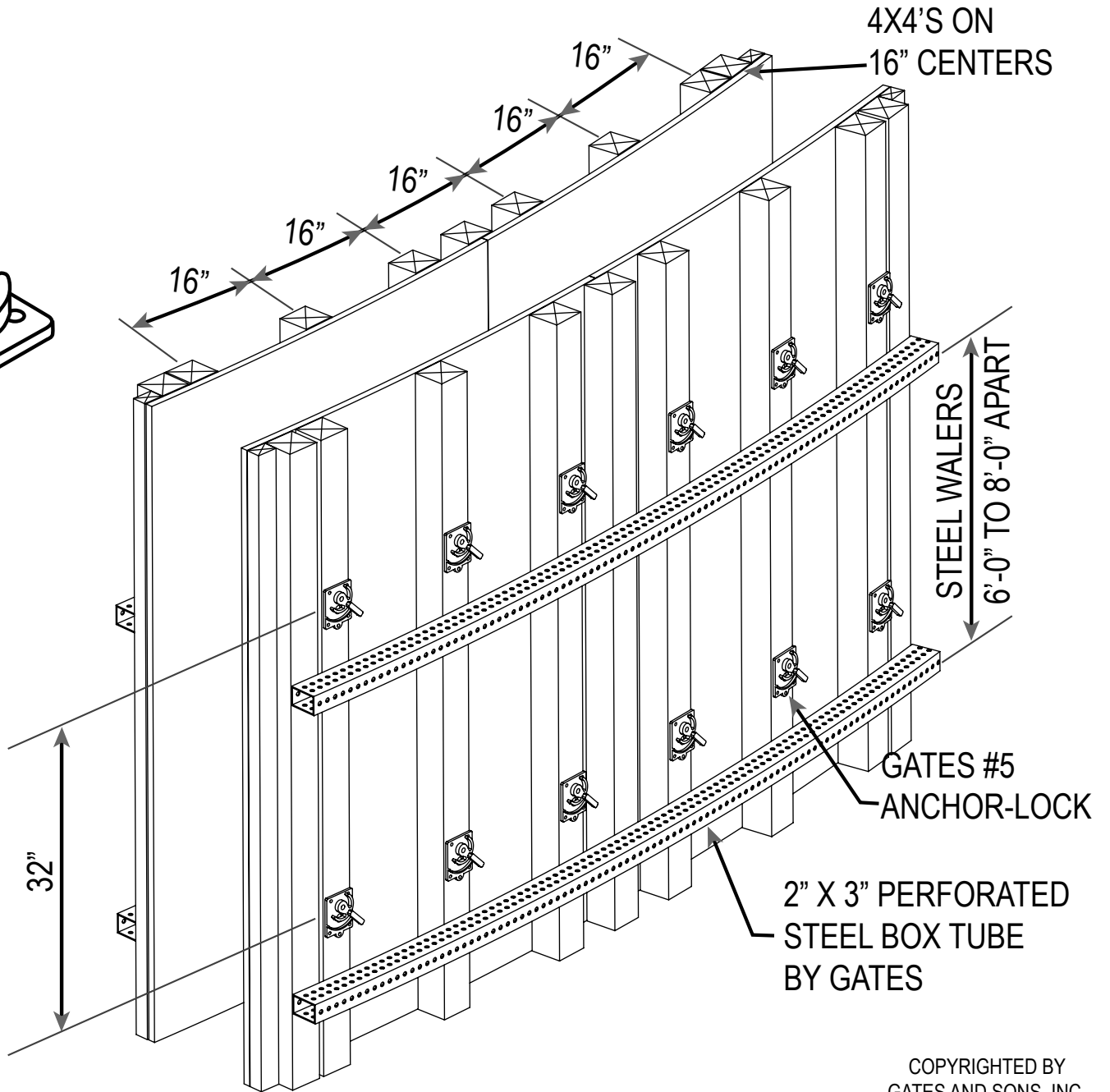




SUGGESTED #5 ANCHOR-LOCK FORMING DETAILS



GATES #5 Anchor-Lock radius gang forming system is shaped with 2" x 3" perforated steel radius walers ... vertical 4X4's on 16" centers ... 16" x 32" tie spacing 3-1/2 sq. ft. per tie ... pass-thru form ties. Form weight: 7 lbs./sq. ft. and ... NO LOOSE HARDWARE!



16" X 32" TIE SPACING

PLYWOOD BENDING TABLE	
20'-0" Dim.	3 pieces 1/4"
30'-0" Dim.	2 pieces 3/8"
40'-0" Dim.	2 pieces 3/8"
50'-0" Dim.	1 piece 5/8"
60'-0" Dim.	1 piece 3/4"
AND LARGER	

COPYRIGHTED BY
GATES AND SONS, INC.
1998

EMAIL: info@gatesconcreteforms.com

www.gatesconcreteforms.com