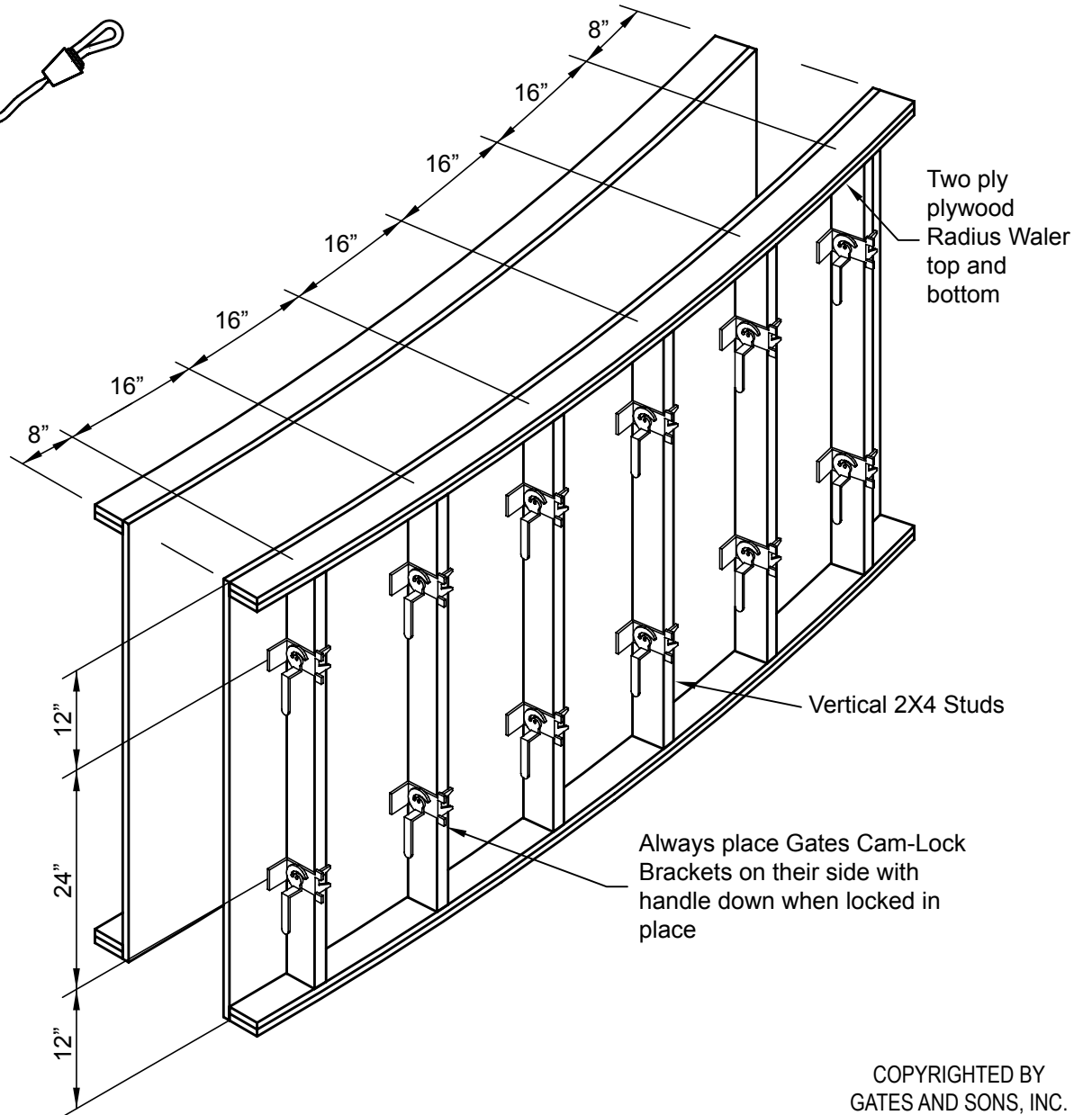
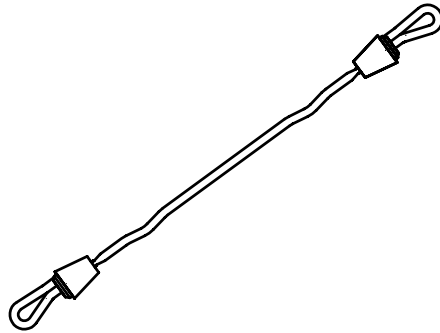
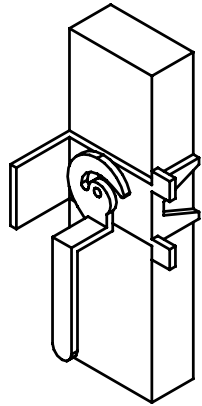




# SUGGESTED CAM-LOCK RADIUS FORMING DETAILS



Another inexpensive Cam-Lock hand set system for limited radius wall forming uses two ply plywood radius walers to hold shape and 2x4 vertical studs at 16" o.c.

## 24" X 16" TIE SPACING

PLYWOOD BENDING TABLE	
20'-0" Dim.	3 pieces 1/4"
30'-0" Dim.	2 pieces 3/8"
40'-0" Dim.	2 pieces 3/8"
50'-0" Dim.	1 piece 5/8"
60'-0" Dim.	1 piece 3/4"
AND LARGER	

COPYRIGHTED BY  
GATES AND SONS, INC.  
1998

EMAIL: [info@gatesconcreteforms.com](mailto:info@gatesconcreteforms.com)

[www.gatesconcreteforms.com](http://www.gatesconcreteforms.com)