

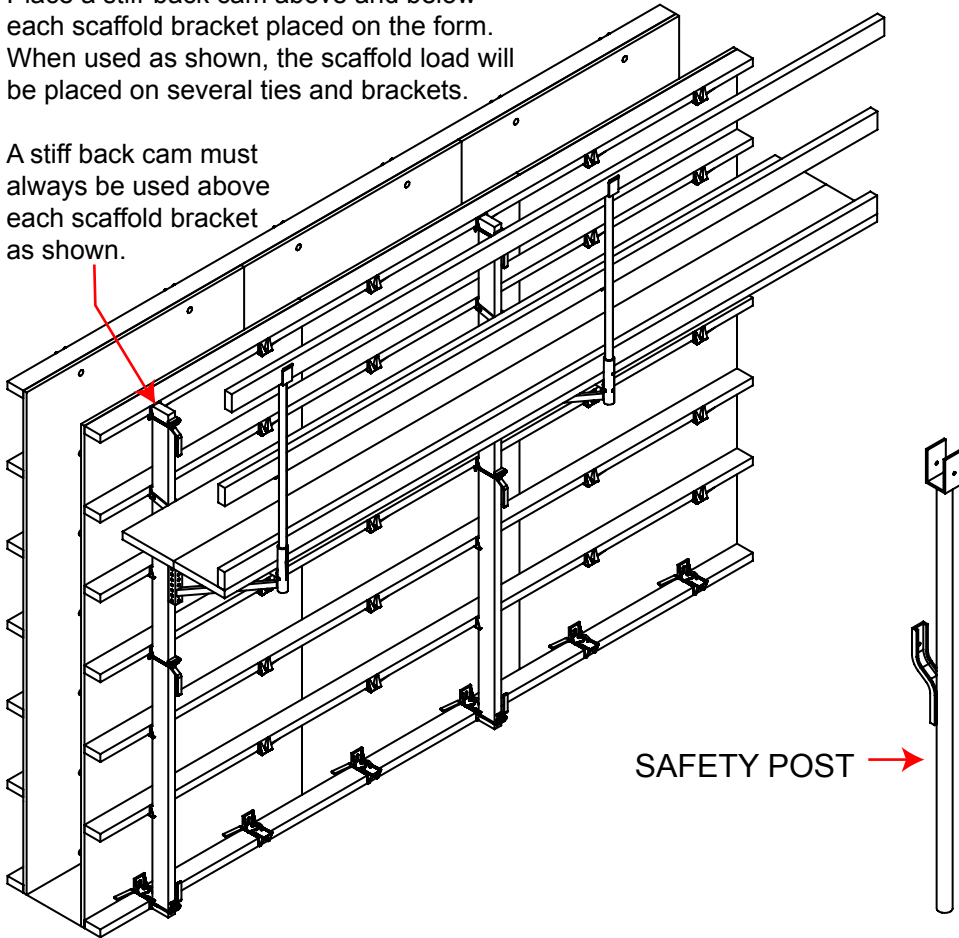


# Cam-Lock Forming System

## VERY IMPORTANT HOW TO USE GATES SCAFFOLD BRACKETS

Place a stiff-back cam above and below each scaffold bracket placed on the form. When used as shown, the scaffold load will be placed on several ties and brackets.

A stiff back cam must always be used above each scaffold bracket as shown.

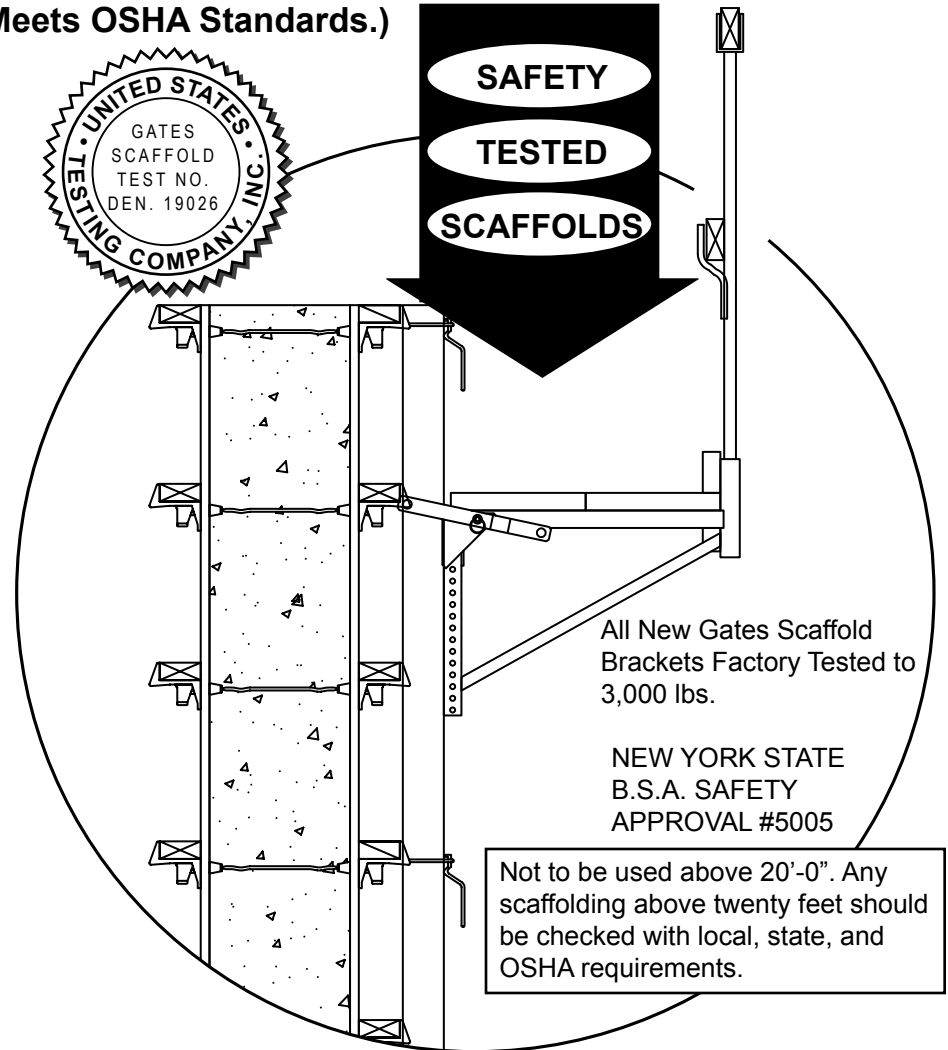
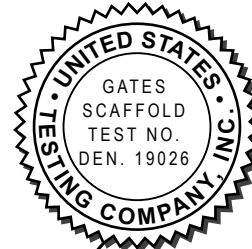


On all walls, scaffold brackets must always be placed within 6'-0". 42" Guard Rail with toe plate, mid-rail and top rail must be used!

Scaffold Bracket must be attached to second Cam-Lock or lower from top of form, with at least one Stiffback Cam above and at least one below. Never attach Scaffold Bracket to the top row of ties.

All 2x4 stiff backs used to attach the Gates scaffold brackets MUST EXTEND TO A SOLID BASE. NEVER use short pieces of 2x4 under the scaffold brackets.

Proved by UNITED STATES TESTING CO., INC. to withstand repeated loads of 2500 pounds. (Meets OSHA Standards.)



All New Gates Scaffold Brackets Factory Tested to 3,000 lbs.

NEW YORK STATE  
B.S.A. SAFETY  
APPROVAL #5005

Not to be used above 20'-0". Any scaffolding above twenty feet should be checked with local, state, and OSHA requirements.

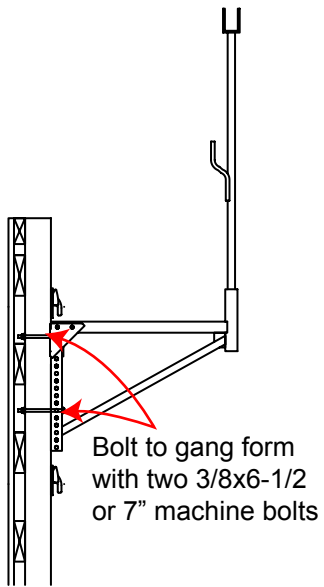
The Gates scaffold bracket is constructed of sturdy, heavy gauge plated steel. Extra rigidity is obtained by spot welded corner gusset plate and tubular riveted bracing.

Hanger arms attach to the Cam Bracket ears in the same manner as the stiff back cam. Secure, firm attachment in seconds is accomplished without bolts, nuts, or nails.

It is quickly adaptable for use with 2x6 stiff back by removal and repositioning of hanger arms.

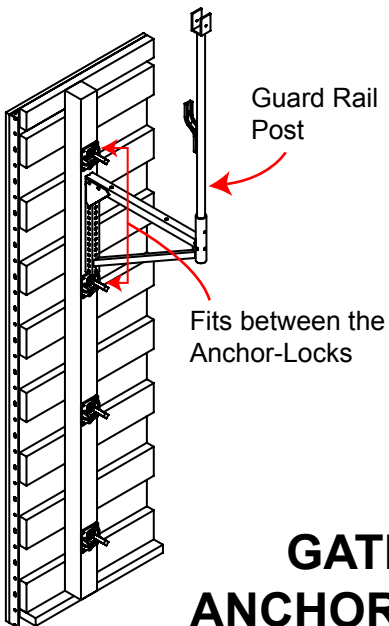
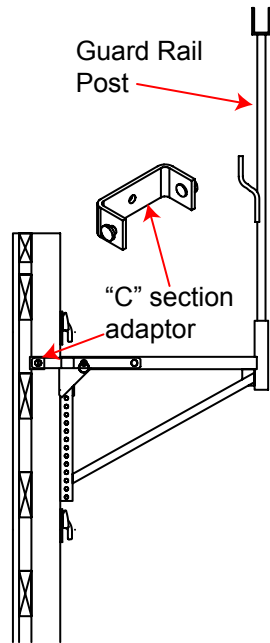


# How to apply Gates Scaffold Brackets

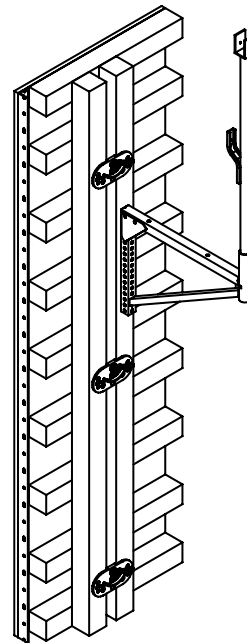


Arms are not used when Scaffold Bracket is bolted to form. Arms are for the Cam-Lock application and whenever the "C" section adaptor is used on the #3 or #5 Anchor-Lock gang forms in back of the vertical 4x4.

Bolt to gang form with two 3/8x6-1/2 or 7" machine bolts

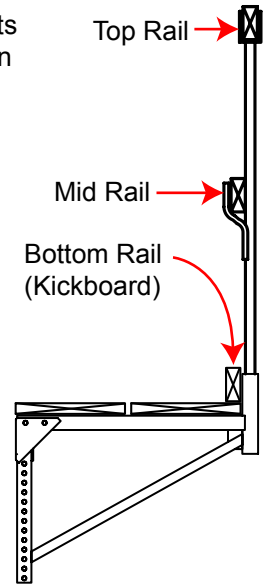


## GATES #3 OR #5 ANCHOR-LOCK SYSTEM

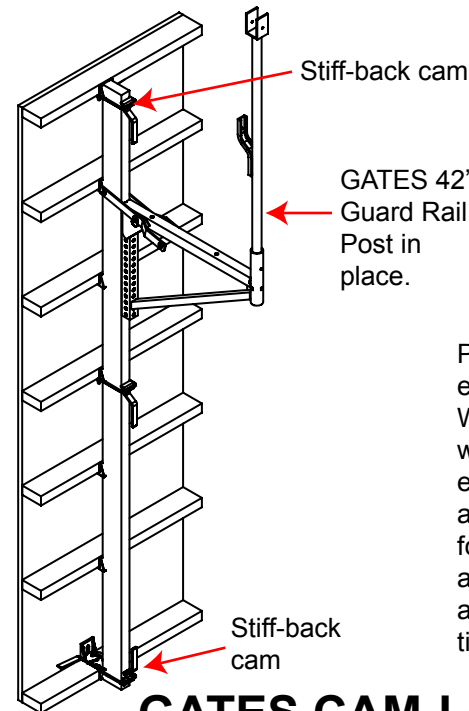


On all walls, scaffold brackets must always be placed within 6'-0". Guard Rail with toe plate, mid-rail and top rail **must** be used!

Detail of Guard Rail Post showing hole for inserting nail through scaffold bracket and post.



## GATES #9 OR V-LOCK SYSTEM



## PROPER CAM-LOCK ATTACHMENT

Place a stiff-back cam above and below each scaffold bracket placed on the form. When used as shown, the scaffold load will be placed on several ties and bracket. Scaffold Bracket must be attached to a second Cam-Lock or lower from top of form, with at least one Stiffback Cam above and at least one below. Never attach Scaffold Bracket to the top row of ties.

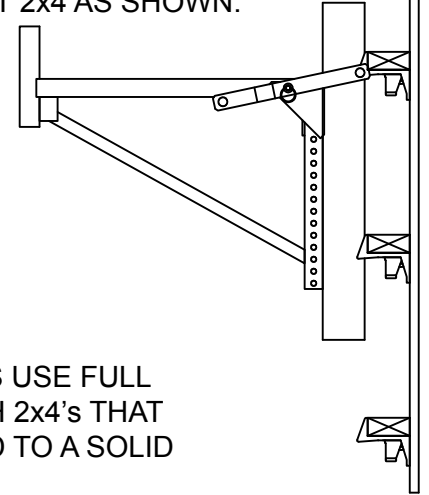
## GATES CAM-LOCK SYSTEM



# THE DO PAGE

## DON'T

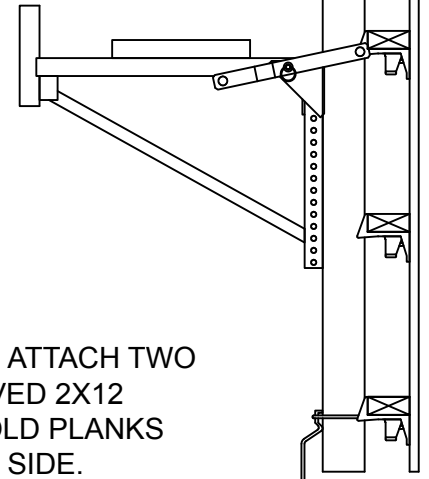
EVER USE THE GATES SCAFFOLD BRACKET WITH A SHORT 2x4 AS SHOWN.



ALWAYS USE FULL LENGTH 2x4's THAT EXTEND TO A SOLID BASE.

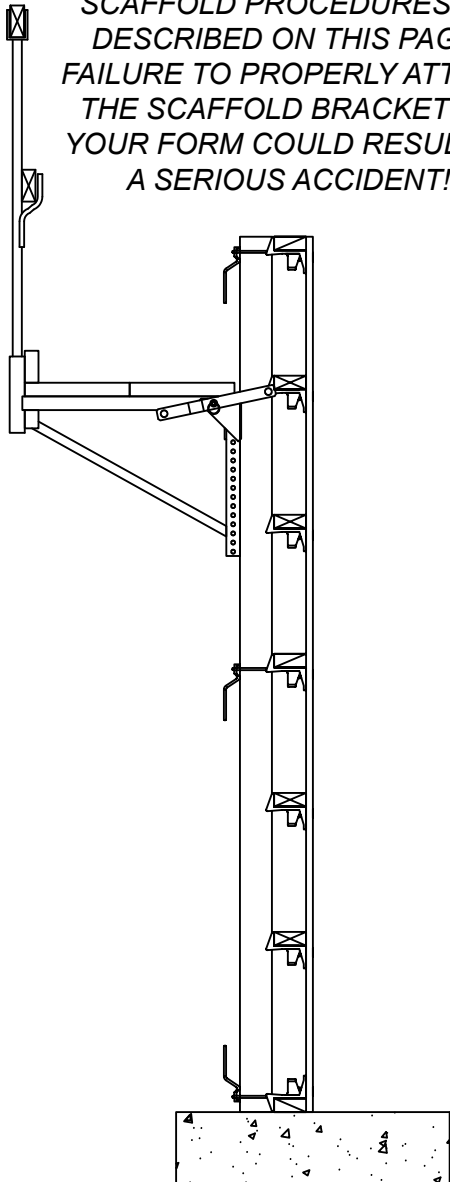
## DON'T

EVER ATTACH THE GATES SCAFFOLD BRACKET WITH ONLY ONE SCAFFOLD PLANK.



ALWAYS ATTACH TWO APPROVED 2X12 SCAFFOLD PLANKS SIDE BY SIDE.

*BE SURE TO FOLLOW PROPER SCAFFOLD PROCEDURES AS DESCRIBED ON THIS PAGE. FAILURE TO PROPERLY ATTACH THE SCAFFOLD BRACKET TO YOUR FORM COULD RESULT IN A SERIOUS ACCIDENT!*



- A. The vertical 2x4 stiffback must always extend to a solid base... The concrete footing, a floor slab or to compacted soil.
- B. The Gates scaffold bracket must be attached to the second cam-lock bracket, or lower, from top of forms. NEVER attach the scaffold bracket to the top row of cam-lock brackets and form ties!
- C. A Gates 2x4 stiffback cam must always be attached to the top row of cam-lock brackets and ties directly above the scaffold brackets.
- D. A second Gates 2x4 stiffback cam must be attached directly below the scaffold bracket.
- E. Add an additional stiffback cam at the bottom of the vertical 2x4 stiffback to stabilize it.
- F. Gates scaffold brackets are to be used on 6-foot centers along the form with two (2) 2x12" scaffold planks.
- G. A 42-inch guardrail with a 2x4 toeplate, mid-rail and top rail must also be used, as shown.
- H. Nail must be added at bottom of scaffold.

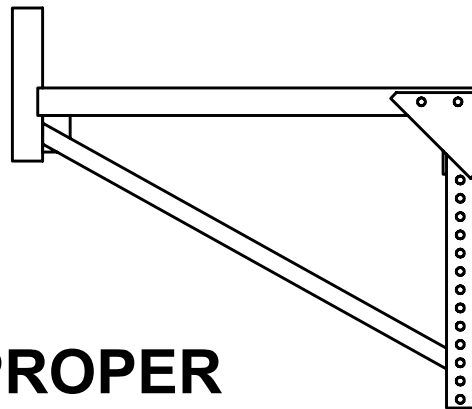
SINCE WE CANNOT ANTICIPATE EVERY PROBLEM THAT MAY ARISE ON THE JOB IN CONJUNCTION WITH THE USE OF OUR PRODUCT, WE URGE YOU TO WORK SAFELY AND REFER TO YOUR STATE AND OSHA MANUALS FOR PROPER CONSTRUCTION OF CONCRETE WALL FORMING AND SCAFFOLDING PROCEDURES IN YOUR AREA.



# Cam-Lock Forming System

WE CAN'T COVER ALL THE DON'T CONDITIONS THAT CAN COME UP ON A JOB BUT THESE ARE A FEW OF THE MAJOR ONES WE WANT TO POINT OUT TO YOU!

**CAUTION**  
PLEASE HAVE ALL  
WORKMEN READ THIS  
PRIOR TO BUILDING  
FORMS!

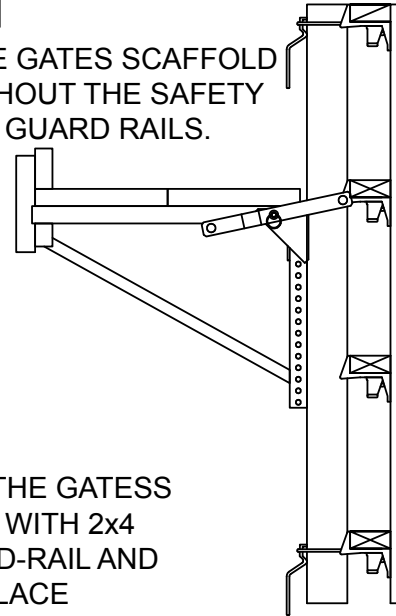


## PROPER USE OF GATES SCAFFOLD BRACKETS

For Additional Instructions on the Use of the Gates Cam-Lock System, Contact Your Gates Distributor and Request Our 20-Page Piece of Literature on the Gates Cam-Lock Forming System.

### DON'T

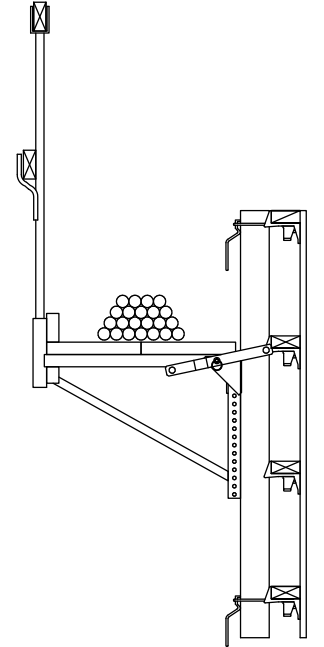
EVER USE THE GATES SCAFFOLD BRACKET WITHOUT THE SAFETY POST AND 2x4 GUARD RAILS.



ALWAYS USE THE GATES SAFETY POST WITH 2x4 TOEPLATE, MID-RAIL AND TOP RAIL IN PLACE

### DON'T

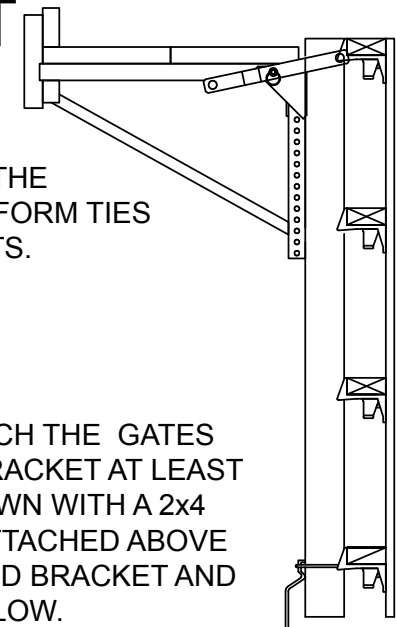
EVER LOAD THE GATES SCAFFOLD BRACKET WITH RE-STEEL OR OTHER HEAVY OBJECTS.



GATES SCAFFOLD BRACKETS ARE DESIGNED FOR WORKMEN ONLY.

### DON'T

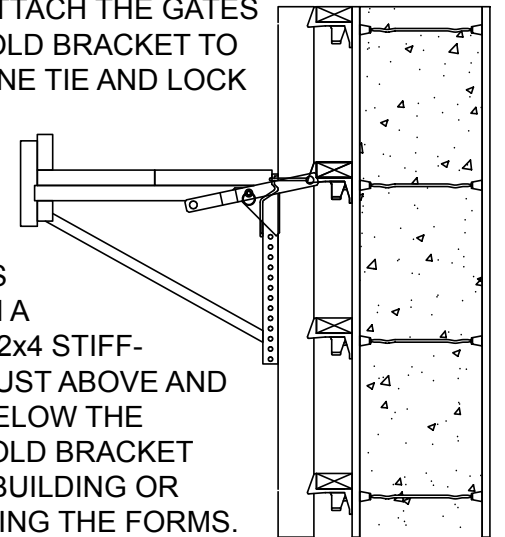
EVER ATTACH THE GATES SCAFFOLD BRACKET TO THE TOP ROW OF FORM TIES AND BRACKETS.



ALWAYS ATTACH THE GATES SCAFFOLD BRACKET AT LEAST ONE ROW DOWN WITH A 2x4 STIFFBACK ATTACHED ABOVE THE SCAFFOLD BRACKET AND ONE JUST BELOW.

### DON'T

EVER ATTACH THE GATES SCAFFOLD BRACKET TO ONLY ONE TIE AND LOCK



ALWAYS ATTACH A GATES 2x4 STIFFBACK JUST ABOVE AND JUST BELOW THE SCAFFOLD BRACKET WHEN BUILDING OR REMOVING THE FORMS.